



SiDiary

© 2003-2018

SINOVO GmbH & Co. KG

www.sidiary.org

www.sinovo.net

Device Package leaflet

Please fill out the form [for each device](#) sent to SINOVO for development purposes.

SINOVO GmbH & Co. KG

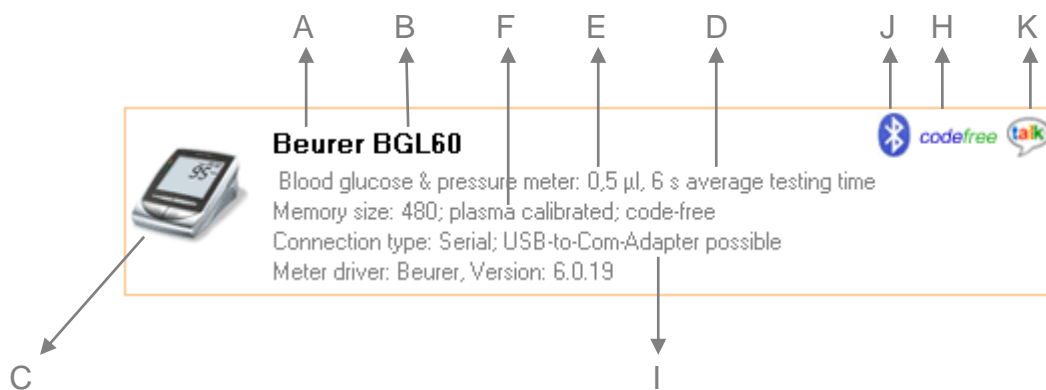
Casimirstr. 2-4

60388 Frankfurt/Main

Germany

info@sinovo.net

www.sinovo.net



		Please fill-out
Manufacturer Name	→ picture A	
Device Name	→ picture B	
Device Type	BloodGlucose meter, BloodPressure meter, Pump, BloodGlucose-and- BloodPressure meter, Pedometer, Scale, InsulinPen or Other (please describe if other)	
Measuring Time	(in seconds) → picture D	
Blood sample size	→ picture E	
Calibration type (if BloodGlucose meter)	Plasma or whole blood → picture F	
Memory size of meter	→ picture G	
Code-Free	Yes / No → picture H	
Connection method	(Serial, USB, File, Bluetooth, Infrared) → picture I + J	
Has the device an additional log function?	(possibility of additional manual recordings regarding the measured values)	
Is the device offering voice output?	Yes / No → picture K	
LO Limit value	Every measurement below this value will only be shown as LO	
HI Limit value	Every measurement above this value will only be shown as HI	
What does the display of the device show, if connected to a PC?	i.e. USB, PC, Connected, ...	
Necessary Windows system driver for the device	URL - or - driver on the attached storage device / email	
Original manufacturer software for reference purposes	If available URL – or – attached on the storage device	

Data cable is included.	Yes / No	
Serial number of the device		
How many measurement readings are stored in the memory of the device?		
Display unit	mg/dl or mmol/l	
Is the device sending mmol/l units through the data interface?	Yes / No	
If only mg/dl values are stored – how are the mmol/l values calculated?		
A: With the exact factor 18.0182 and rounding on 1 decimal place	Yes / No	
B: With the simple factor of 18 and rounding on 1 decimal place	Yes / No	
C: With the simple factor of 18 and a cut after the 1. decimal place	Yes / No	
D: Other (different calculation)	If other, please state	
Picture artwork for device	as shown in picture C URL - or - on the attached storage device / email	